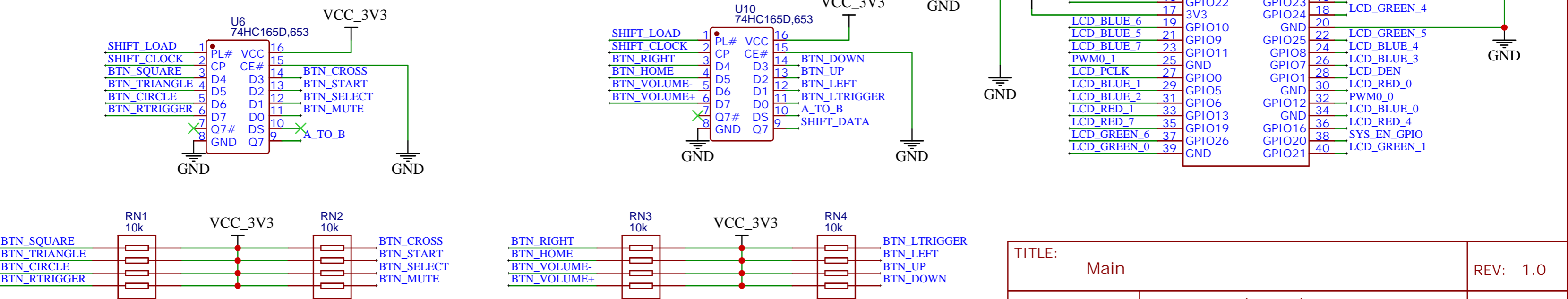
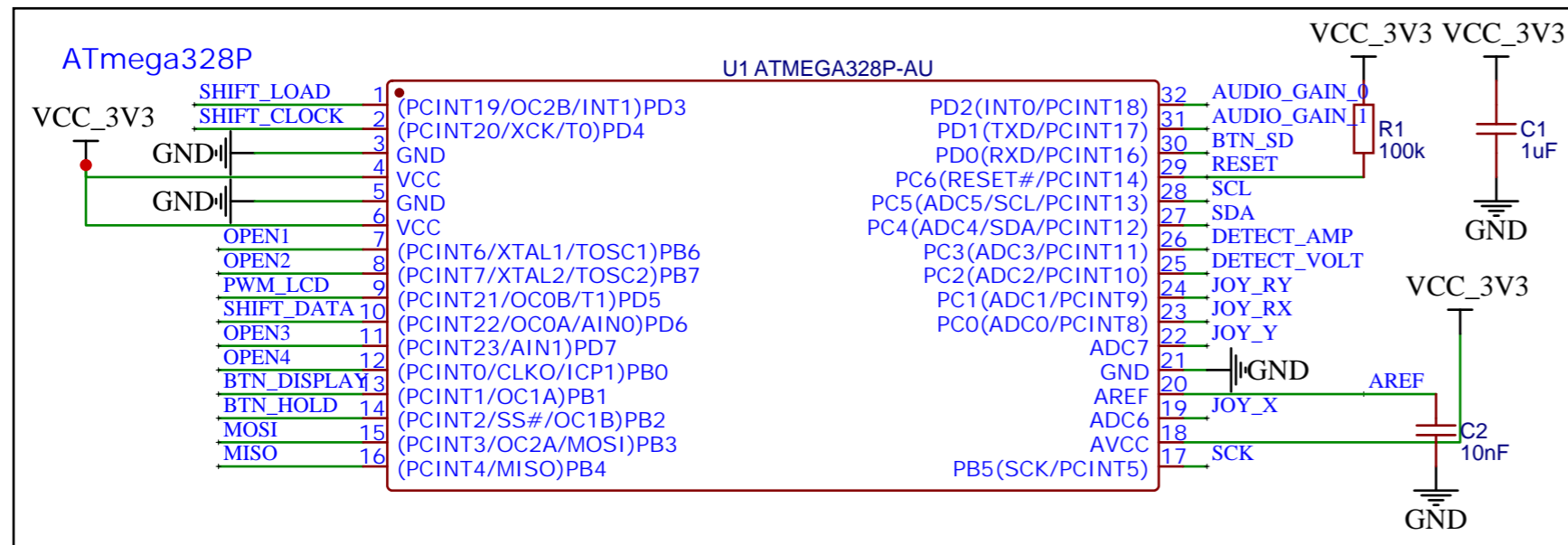
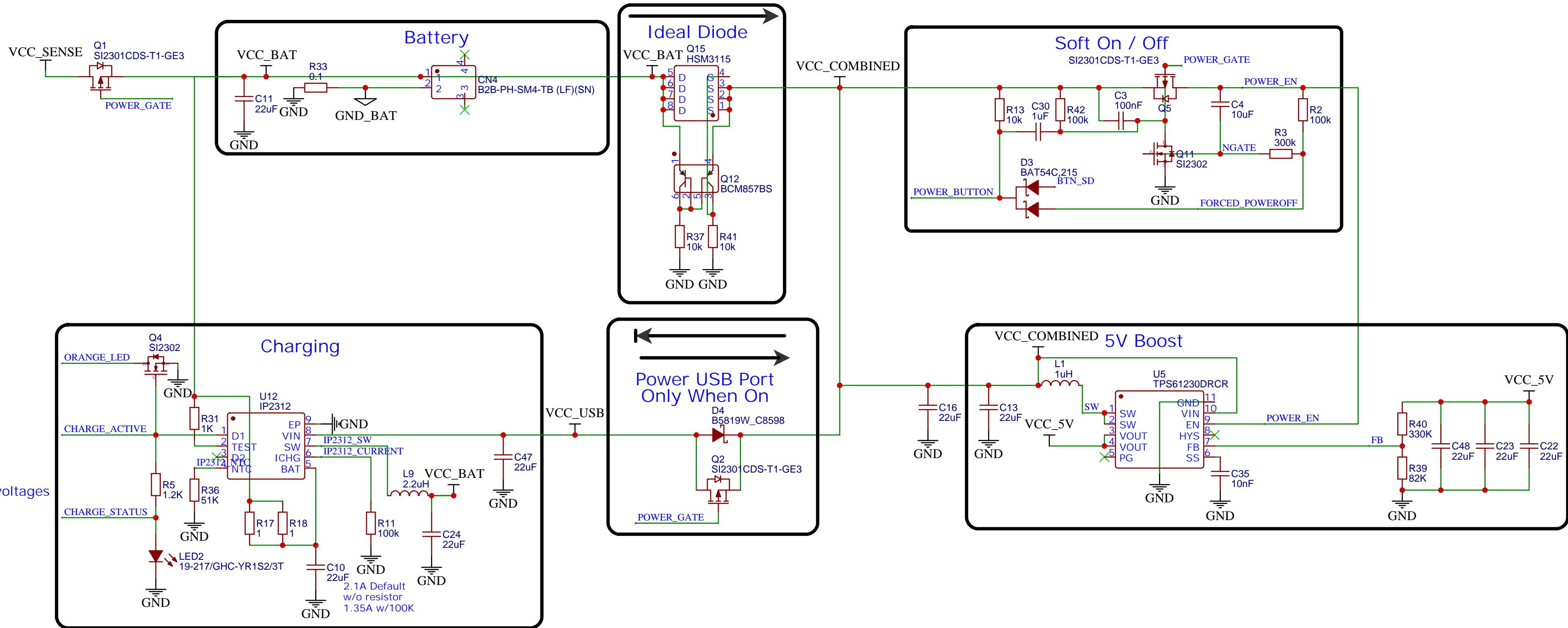


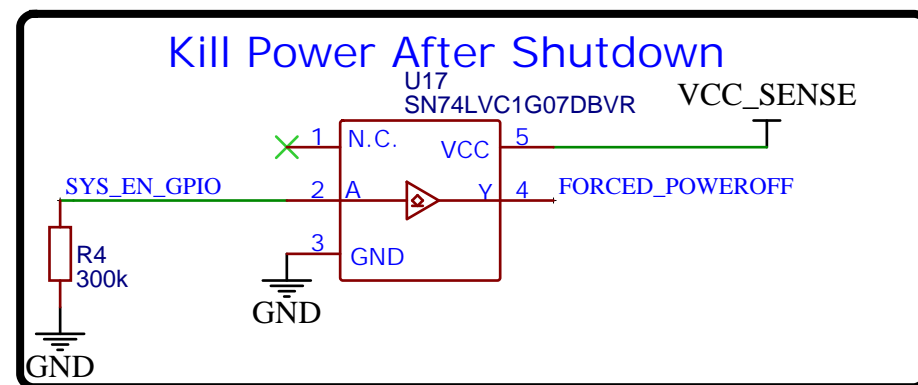
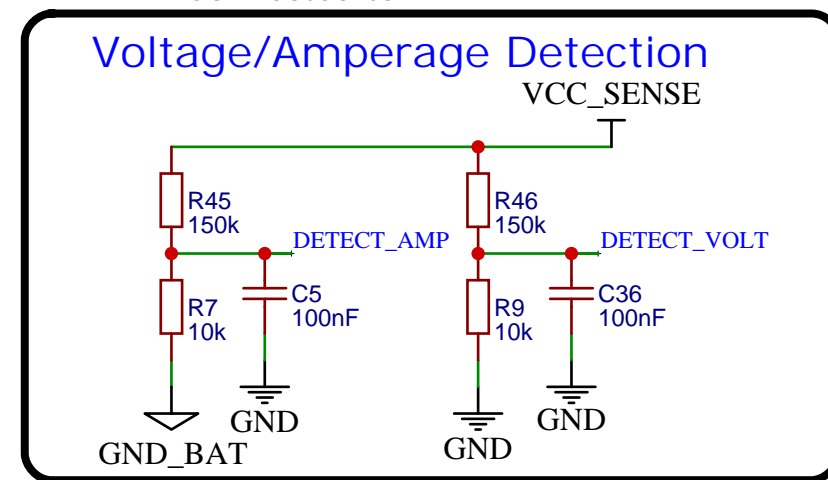
Put mosfet on LED+ and pwm a heartbeat in sleep mode?



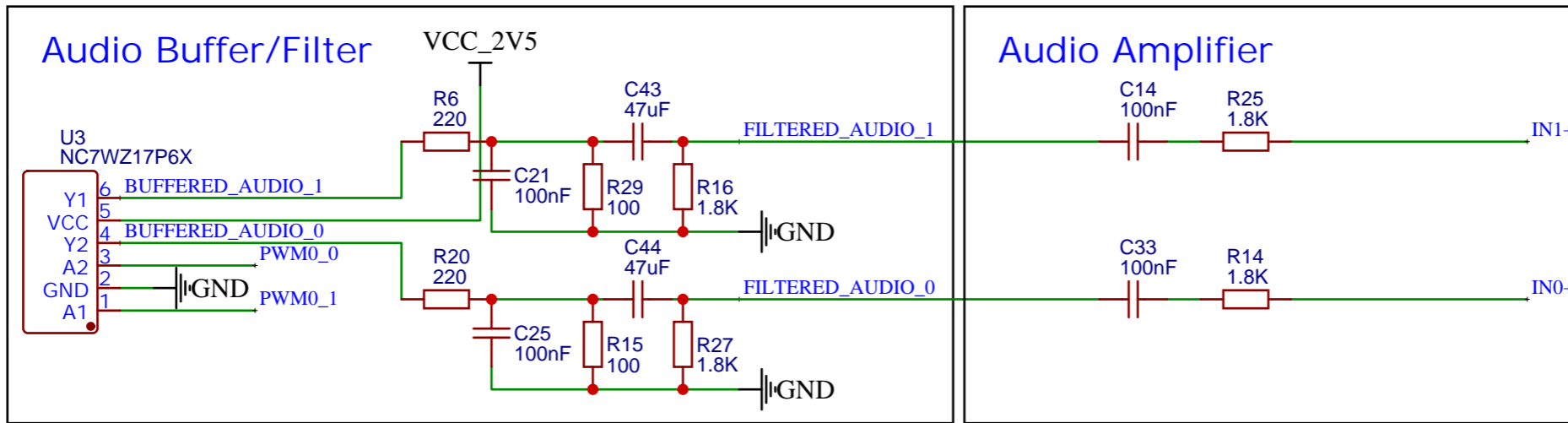


test indicator voltages

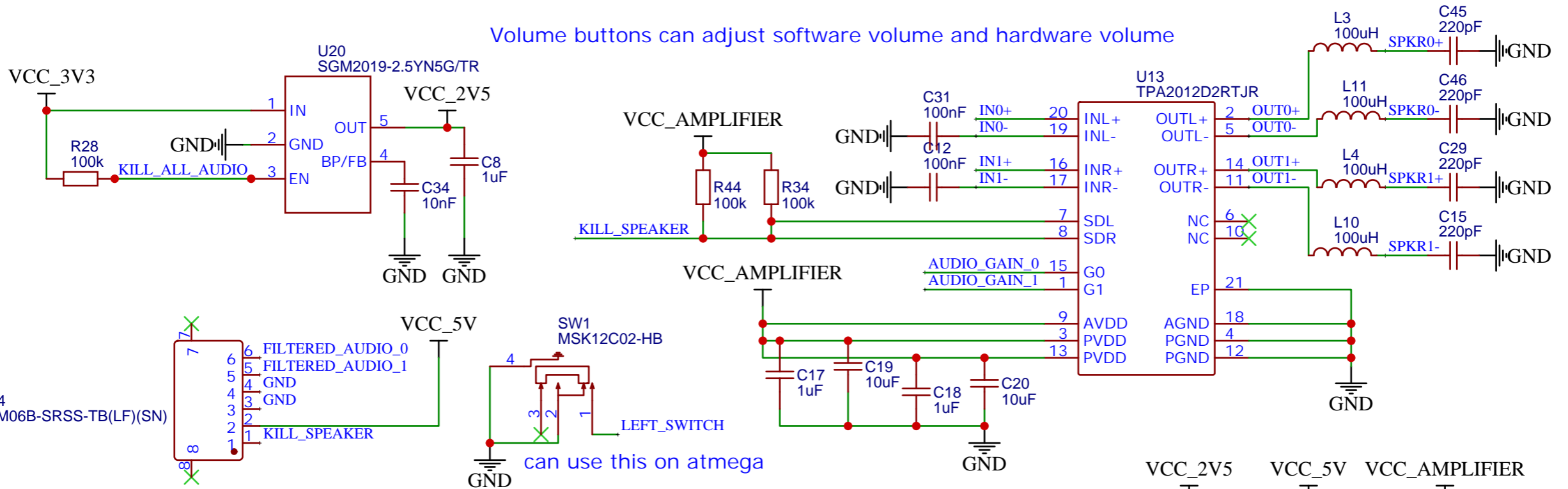
VCC_SENSE has its own BUS
Connected to BAT+



TITLE:	Power	REV:	1.0
EasyEDA	Company:	othermod	Sheet:
	Date:	2022-08-23	Drawn By:
		other.mod	

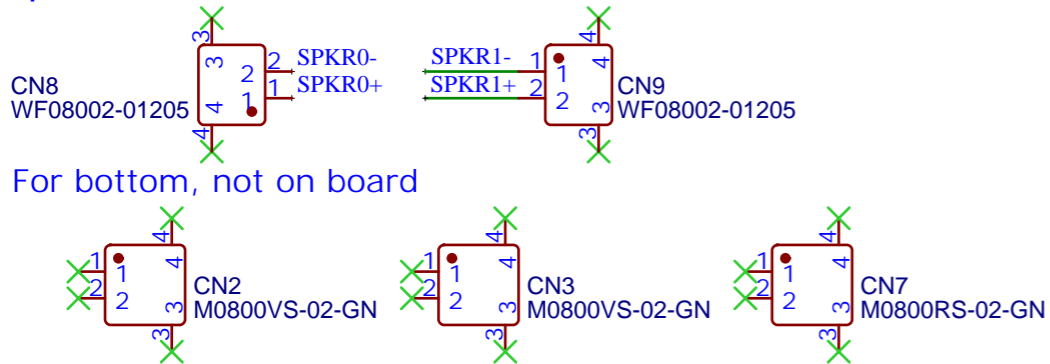


Volume buttons can adjust software volume and hardware volume



can use this on atmega

Speaker Connectors



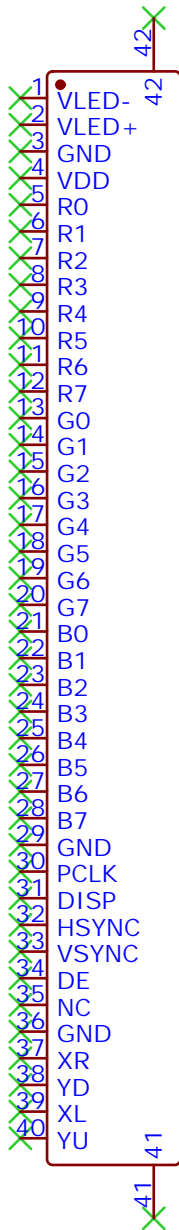
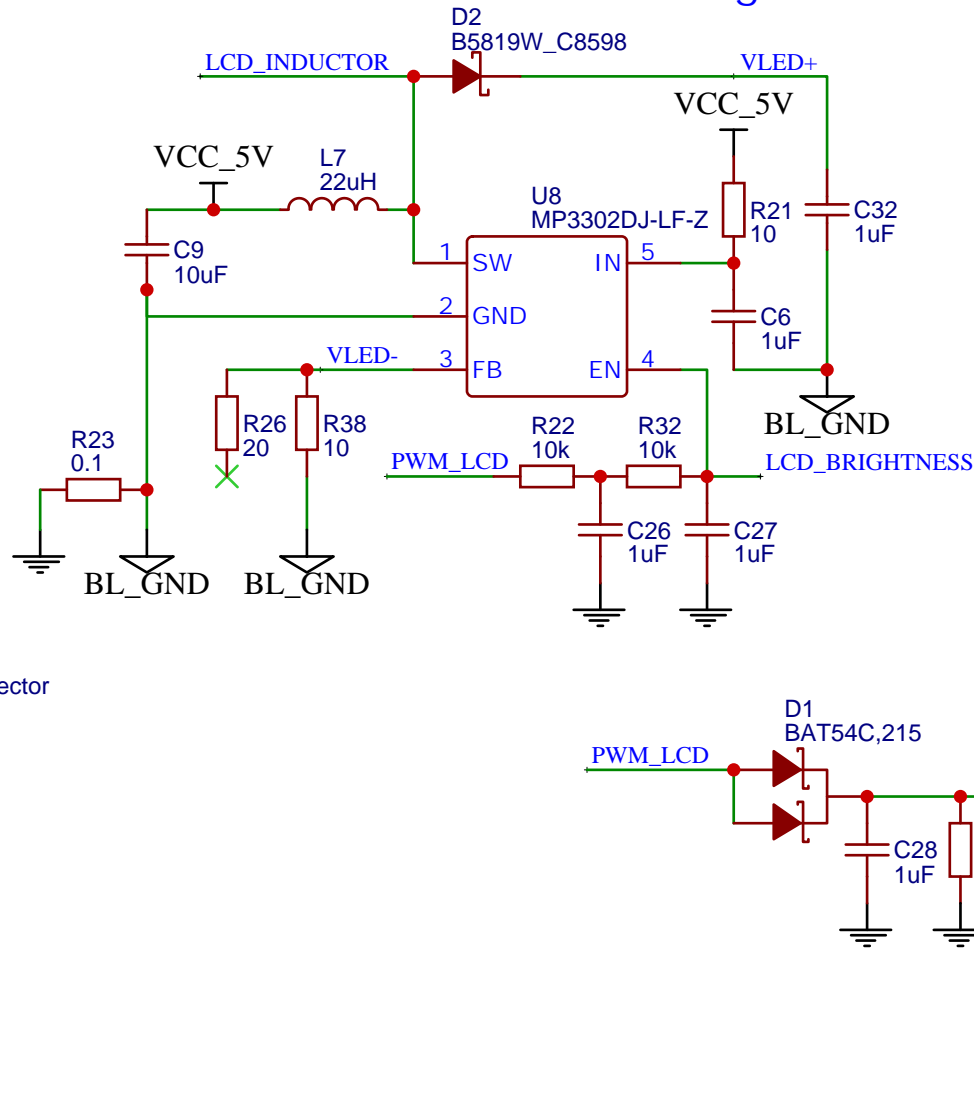
For bottom, not on board

TITLE: Audio		REV: 1.0
EasyEDA	Company: othermod	Sheet: 1/1
	Date: 2022-08-23	Drawn By: other.mod

For reference only
Not on board

LCD Backlight

VCC_3V3



FPC3
PSP 40pin Connector

FPC7
AFC05-S40FIA-00

TITLE: LCD		REV: 1.0
	Company: othermod	Sheet: 1/1
	Date: 2022-08-23	Drawn By: other.mod